



Gunnebo SafeDeposit D1k Family

Compact, Secure and Efficient Cash Processing

GUNNEBO®



Gunnebo SafeDeposit D1k Family

Versatile to match each installation condition with a simple yet powerful user interface

The D1k is part of our compact deposit unit range. It streamlines daily cash processes and improves the overall efficiency of all the employees that deal with cash management. It also allows to maximise your ROI. The compact range is designed to help small to midsize retailers and carry out quick and safe cash deposit transactions with maximum adaptability to your needs. The different compact solutions adapt to your needs in terms of size, capacity and type of storage. All compact range series run with our EMA platform.

Compact, Secure and Efficient Cash Processing

- Stacked banknotes in cassette.
- Real time accountancy of each transaction.
- Web remote management and administration (including banknote validator upgrades).
- Multicurrency in the same transaction.
- Multilanguage.
- Gunnebo One Time Code system to open the safe.
- Common EMA platform for all Gunnebo Deposit Range.
- Visual and tactile interface via colour touch screen.
- Various cloud connections simultaneously.

Benefits



Multi cloud



Different identification formats



Multicurrency within one deposit



EMA Platform

Specifications

Model specifications

	D1K1200	D1K2200
Capacity	1200 stacked	2200 stacked
Dimension (WxDxH)	216x460(SNF)/520(BNF)x569	216x612(SNF)/672 (BNF)x594
Weight kg	37 kg	48 kg
800x480 Touch Display	5"	5"
Safe	2 mm Body / 4 mm Door	2 mm Body / 4 mm Door
Manual Deposit	No	No
Max. Power Specifications	120W. 24DC	120W. 24DC
Storage Type	Cassette	Cassette

Standard features

Deposit Speed	20 banknotes/minute
Multicurrency deposits	Yes
Multilanguage	Yes
PC	Linux Embedded OS
Software Platform	EMA (Easy Modular Assisted)
Network	Supports VPN and multi cloud communications
Operating temperature	10° to 40°C
Remote management	User management, software updates...
Remote note reader update	Yes
Remote data import & export	Yes
Time settings	Supports NTP synchronisation
"Unified POS" standard	Yes
Certifications	CE, ROHS, ECB (banknote reader)
Humidity	30%-85% relative, non condensating

Options

Bank Note Feeder	1 (SNF) / 20 (BNF)
Receipt Printer	57 mm paper width
Barcode Reader	for users and bag / cassette identification
One Time Lock	Gunnebo electronics and algorithm
Additional locks or ID devices	Please contact Gunnebo
Application customization	Please contact Gunnebo

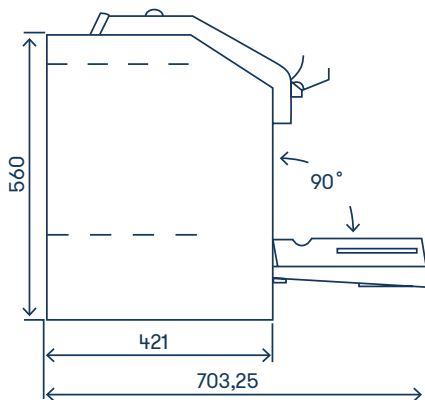
Gunnebo SafeDeposit D1k Family



Dimensions D1k1200

Storage Options

Cassette



Find the right solution for you!

Deposit Solutions

Keep your cash safe and smart, while making your store a safer place to work. Gunnebo's Deposit Solutions can reduce time spent on cash management by up to 55%.

Recycling Solutions

Efficiently secure and recycle your money so you never get out of cash in your stores. Gunnebo's Recycling Solutions can help retailers reduce the time spent on daily cash management by almost 80%.

Closed Cash Management

Let customers pay more efficiently while taking control of the whole cash cycle. 90% to 95% of the time spent on cash management in stores could be saved using Gunnebo's closed cash management solutions.

Cash Software Solutions

Take full control of your cash and use real-time data to make your business more efficient. Manage and configure one or more cash management systems with web-based, modular application, CashControl.

Service Solutions

We want your business to run without any complications and maximum uptime. That's why we give you the tools required to maximise the performance of your security systems and minimise security threats. Solutions are tailored to offer support availability, access to remote diagnostics and guaranteed response times. Quite simply, if you need us, we will be there for you, how and when you like.

Our Goal is to help you take control over the whole cash cycle with reliable solutions to achieve maximum efficiency in a simple, fast and secure way for your business.



Talk to one of our experts:
blog.gunnebo cashmanagement.com or
gunnebo cashmanagement.com

GUNNEBO[®]