



## Gunnebo SafeDeposit D4

Compact, Secure and Efficient Cash Processing

**GUNNEBO**<sup>®</sup>



## Gunnebo SafeDeposit D4

### Top of the compact range with dual banknote acceptors.

D4 has dual bank note acceptors to double the speed of transactions and for redundancy purposes in case of failure.

The compact range is designed to help small to midsize retailers and carry out quick and safe cash deposit transactions with maximum adaptability to your needs. The different compact solutions adapt to your needs in terms of size, capacity and type of storage. All compact range series run with our EMA platform.

### Retails solution with dual acceptors

- 2 Banknotes acceptors.
- Deposit banknotes in bag.
- Different graded safes available upon request.
- Real time accountancy of each transaction.
- Web remote management and administration (including banknote validator upgrades).
- Multicurrency (in the same transaction!).
- Multilanguage.
- Gunnebo One Time Code system to open the safe.
- Common platform for all Gunnebo Deposit Range.
- Visual and tactile interface via colour touch screen.
- Various cloud connections simultaneously.

### Benefits



Multi cloud



Different identification formats



Multicurrency within one deposit



EMA Platform

## Specifications

### Model specifications

Storage Type	Thermo-sealed bag
Remote management	Users, transactions, firmwares, etc.
Deposit Speed	40 banknotes/minute
Multicurrency deposits	Yes
Manual Deposit	Yes
Multilanguage	Yes
PC	Linux Embedded OS
Software Platform	EMA (Easy Modular Assisted)
Network	Supports VPN and multi cloud communications
"Unified POS" standard	Yes
Time settings	Supports NTP synchronisation
Receipt printer	57 mm paper width
Capacity	4000 free fall
Weight kg	360 kg
Remote data import & export	Yes
800x480 Touch Display	7"
Safe	CEN I, UL Type
Dimension (WxDxH)	500x744x830
Remote note reader update	Yes
Max. Power Specifications	250 watts. / 110-240 v.
Operating temperature	10° to 40°C
Humidity	30%-85% relative, non condensating
Certifications	CE, ROHS, ECB (banknote reader)

### Options

Bank Note Feeder	20 per acceptor
Barcode Reader	for users and bag / identification
One Time Lock	Gunnebo electronics and algorithm
Additional locks or ID devices	Please contact Gunnebo
Application customization	Please contact Gunnebo

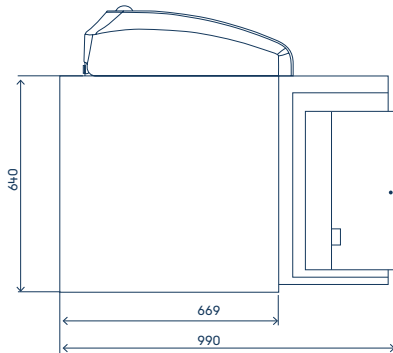
# Gunnebo SafeDeposit D4



## Dimensions D4

### Storage Options

4000 free fall



Find the right solution for you!

### Cash Monitoring Software

Complete control over your cash handling operations with business analytics, service monitoring, end-to-end cash reconciliation and multi-device connectivity.

### Cash Deposit Solutions

Save time and money with smart cash deposit solutions for retail front and back office.

### Cash Recycling Solutions

Optimise your cash flow and keep cash circulating efficiently with cash recycling solutions for retail.

### SafePay Closed Cash Management

SafePay replaces traditional tills with a smart recycling system which protects cash from payment all the way to the cash-counting centre.

### Bank Solutions

Cash automation solutions which support bank branch transformation and cut the time staff spend working with cash.

### Service

Expert support ensures that your systems run smoothly and efficiently with minimal disruption to your business.

**Gunnebo Cash Management creates a more efficient and secure cash cycle to help you reduce the cost of cash handling.**



Talk to one of our experts:  
[blog.gunnebo.com](https://blog.gunnebo.com) or  
[gunnebo.com](https://gunnebo.com)

**GUNNEBO®**